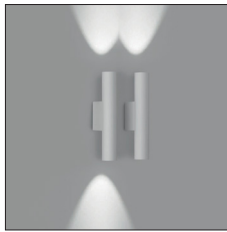


Project:	
Description:	
Type:	

YORI WALL 3.7" INDOOR - RECESSED



Yori Wall 3.7"



Single and Double Emission



LIGHT ENGINE

Example:

A . **RF86** **B** **HQ** **WW** **NN** **0000** **A.RF86B.WW12**

Version

- RF86** Single Emission 25W
- TF86** Dual Emission 12Wx2

Optics

- B** 12° Narrow
- E** 24° Medium
- H** 38° Wide
- M** 53° Very Wide

CCT

- HW** 2700K CRI>90 lm 2792/1491+1491
- HQ** 3000K CRI>90 lm 2860/1533+1533
- WW** 3000K CRI>80 lm 3487/1860+1860
- WN²** 3500K CRI>80 lm 3545/1890+1890
- NN** 4000K CRI>80 lm 3602/1920+1920

25W/12Wx2

Finishes

- 12** Embossed Matt White
- 31** Embossed Matt Black
- CO¹** Royal matt white
- BO¹** Royal matt Black
- EO¹** Brushed Gold
- O1¹** Chrome Plate
- MO¹** Brushed Aluminium
- LO¹** Brushed antique bronze

NOTES

1. Consult factory for lead time and pricing
2. For 3500K, must consult factory to confirm availability

All lumens shown above are initial.
Lumen delivered up to 2800/1540+1540lm
Lumen maintenance: L80 B50=50,000h

DRIVER

Example:

T **F** **EE58** **EE58** **LL71** **0000** **V.FEE58.0000**

Dimming

- T** Phase-Cut
- V** 0-10V
- L** Lutron EcoSystem

Driver Location

- F** Remote Driver

Driver Code

- EE58** 25W (12+12)W 120V, Phase-Cut, dims down to 1%, powers 1 fixture at a time
- EE58** 25W (12+12)W 120/277V, 0-10V, dims down to 1%, powers 1 fixture at a time
- LL71** 25W (12+12)W 120/277V, Lutron EcoSystem Soft-on, Fade-to-Black, dims down to 1%, powers 1 fixture at a time

Plate

- 0000** No Plate

NOTES

3. For emergency driver options, consult factory

Project:	
Description:	
Type:	

YORI WALL 3.7" INDOOR - RECESSED

Technical Info

Driver:

Remote driver.

Optical features Light source features:

1 LED/3step/50,000 hrs

Beam Angles: 12°, 24°, 38°, 53°

Physical features :

Material: Die-cast aluminum

Mounting: Wall mounted ADA compliant

Surfaces: Wall

Weight: 3.8 lbs

Maximum Remote Driver Distance

60 Ft, 18Ga

80 Ft, 16Ga

100 Ft, 14 Ga

Luminaire Description:

Fixture Features: Yori Wall is a family of wall mounted luminaires that can naturally transform interiors and seamlessly blend in with the architecture. Yori Wall comes in three basic sizes, but its incredible flexibility really makes it stand out, along with the extensive range of high-end finishes, the interchangeable optics, and the direct and direct-indirect lighting versions.

Fixture Benefits: A wall mounted fixture with two versions: monoemission and bi-emission lighting. Special finishes: Royal matt white, Royal matt black, Brushed gold, Brushed bronze, Chrome plated, Brushed aluminum

Max Fixture Total Wattage:

25W LED: 28W

12W x2 LED: 27W

Accessories: Hollow cylinder dropped lens and optical accessories

Warranty: 5 Year LED.

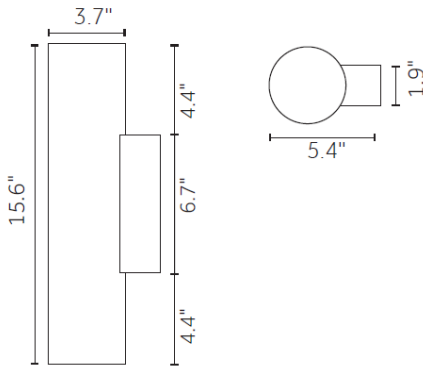
ETL listed, Union assembled

Reggiani reserves the right to change details at any time.

Rev 8/10/2021

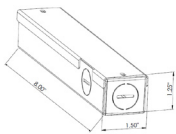
TECHNICAL DRAWINGS

Yori Wall 3.7"



DRIVER

Xtra-Small Remote Box

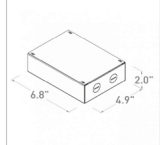


FOR USE WITH: EE58 Driver

1. Must be installed in an accessible serviceable location with maximum 90 degrees Fahrenheit temperature.

2. Requires 3" clearance from any insulation

Large Remote Box



FOR USE WITH: LL71 Driver

1. Must be installed in an accessible serviceable location with maximum 90 degrees Fahrenheit temperature.

2. Requires 3" clearance from any insulation

Project:	
Description:	
Type:	

YORI WALL 3.7"

INDOOR - RECESSED

ACCESSORIES

	Description: Precision - Narrow beam (12°) (25°-for warm-dim only)	Code: 0.35135.0000	
	Description: Precision - Medium beam (24°)	Code: 0.35136.0000	
	Description: Wide beam (38°)	Code: 0.35037.0000	
	Description: Wide beam (53°)	Code: 0.35038.0000	
	Description: Glass filter 1 mm	Code: 0.26406.00__	Finishes: 4A RED 5A Green 6A Blue 7A Pink 8A Yellow 9A orange
	Description: Colored Gel Slides (2 pieces)	Code: 0.26414.0000	
	Description: Selective filter 3000K - 2700K	Code: 0.26563.0000	
	Description: Selective filter 2700K - 2500K	Code: 0.26422.0000	
	Description: Selective filter 2700K - 2200K	Code: 0.26430.0000	
	Description: Selective filter 2700K - 2000K	Code: 0.26438.0000	
	Description: Selective filter 3000K - 3600K	Code: 0.26571.0000	
	Description: Selective filter 3000K - 4000K	Code: 0.26579.0000	
	Description: Dense texture honeycomb louvre	Code: 0.26446.0000	
	Description: Wide texture honeycomb louvre	Code: 0.26454.0000	
	Description: Elliptical beam lens	Code: 0.26459.0000	
	Description: Opal lens	Code: 0.26466.0000	
	Description: Spread lens	Code: 0.26474.0000	
	Description: Cross blade louvre	Code: 0.26479.0000	
	Description: Cylinder, hollow version (Ø 3.7", h 2.4")	Code: 0.26047.0000	