

Project:	
Type:	
Description:	

HYBRID Ø2.5"

INDOOR - RECESSED



Create your Hybrid Ø2.5":

- Optical Compartment**
- +
- Flange**
- +
- Baffle**
- +
- Driver**



Interchangeable LED Module



Round: ø2.95"

0.07"-0.98" | 2-25mm
Max Ceiling Thickness

Hybrid Ø2.5"

To complete the product select: Flange + Baffle + Driver. (To be ordered separately)

LIGHT ENGINE

Example:

A . **XU20** **00** **A.XU20A.HW00**

Optical Compartment

. **XU20** 9 Watt

Optics

- A** 9° Very narrow
- B** 15° Narrow
- D** 22° Medium narrow
- E** 31° Medium
- H** 41° Wide
- M** 52° Very wide

CCT

- Lumen delivered
- HW** 2700K CRI >90 Up to: 1069 lm
 - HQ** 3000K CRI >90 Up to: 1130 lm
 - WQ** 3500K CRI >90 Up to: 1179 lm
 - DT** 1800-3000K CRI >93 Up to: 554 lm
 - QT** 2700-6500K CRI >93 Up to: 640 lm - 739 lm
- On request:
4000K (CRI >90)
Tunable white 1800K-4000K (CRI >93)

Finishes

00 Black

NOTES

- 1. DT (Warm dimming) / QT (Tunable white): only for medium, wide and very wide beam optics (E/H/M)
- Consult factory for lead time and pricing
- For alternate ceiling thickness consult factory

FLANGE (TO BE ORDERED SEPARATELY)

Example:

0 . **40282** **0.40282.T012**

Code

. **40282** Flange Round

Flange

- T0** Trim flange
- L0** Trimless flange*

Finishes

- 12** Embossed matte white
- 31** Embossed matte black

NOTES

*The Trimless flange is only available in finish 12 Embossed matte white

BAFFLE (TO BE ORDERED SEPARATELY)

Example:

0 **0.40252.0012**

Code

- 40252.00** Fixed Baffle
- 40242.00** Adjustable Baffle
- 40272.00** Wall Washer Baffle

Finishes

- 12** Embossed matte white
- BR** White glossy
- 31** Embossed matte black
- BU** Black glossy
- BZ** Grey glossy

HOUSING/DRIVER (RETROFIT OPTIONS ARE AVAILABLE, CONSULT FACTORY)

Example:

G **G.OHYBR6.C.750**

Dimming

G* Universal Driver
0-10V / Triac / ELV
Connectable fixtures
Min: 1 - Max: 2/3

Housing/Driver Location

- O** New construction housing non-IC
- A** IC/AT/CP Housing
- R** REMODEL (Only Remote driver)

Plate

HYBR6 . **C** Round plate

Current Setting

- 750** Optic A
- 700** Optic B
- 500** Optics D/E/H/M
- 350 DT** Optics E/H/M
- 200 QT** Optics E/H/M (on request)

*G Universal Driver

EMERGENCY (ON REQUEST)

Example:

G **EM** **G.OHYBR6.C.750.EM**

Dimming

G* Universal Driver
0-10V / Triac / ELV
Connectable fixtures
Min: 1 - Max: 2/3

Housing/Driver Location

- O** New construction housing non-IC
- A** IC/AT/CP Housing
- R** REMODEL (Only Remote driver)

Plate

HYBR6 . **C** Round plate

Current Setting

- 750** Optic A
- 700** Optic B
- 500** Optics D/E/H/M
- 350 DT** Optics E/H/M
- 200 QT** Optics E/H/M (on request)

*G Universal Driver

Project:	
Type:	
Description:	

HYBRID Ø2.5"

INDOOR - RECESSED

Technical Info

Housing/Driver:

Driver can be located fully remote or adjacent to fixture (depending on the driver selected).

Optical features Light source features:

1 LED/2step/50,000 hrs
Beam angles: 9°, 15°, 22°, 31°, 41°, 52°

Physical features:

Material: Die-cast aluminum + plastic
Mountings: Recessed
Surfaces: Ceiling
Weight: 0.485lbs

Max Remote Driver Distance:

60 Ft, 18 Ga
80 Ft, 16 Ga
100 Ft, 14 Ga

Luminaire Description:

Trim Features: LED and heat sink assembly are followed by an optical reflector determining beam degree, and available accessories. Plate is included with trim.
Trim Benefits: Available in trimless and visible trim, round and square.

Max Fixture Total Wattage: 9W

Warranty: 5 Year LED warranty.

ETL listed, Union assembled

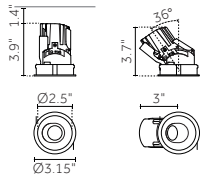
Reggiani reserves the right to change details at any time.

Rev03/01/2026

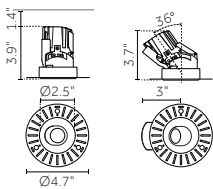
Technical Drawings

LIGHT ENGINE

With visible trim flange
(To be ordered separately)



With trimless flange
(To be ordered separately)




Project:	
Type:	
Description:	

HYBRID Ø2.5" | ACCESSORIES


INDOOR - RECESSED


Hybrid Ø2.5"


Optics accessories


	Description Honeycomb, wide texture	Code <u>0.40323.0000</u>
---	---	------------------------------------

	Description Spread Lens	Code <u>0.40322.0000</u>
---	-----------------------------------	------------------------------------

	Description Accessory for orientation	Code <u>0.40325.0000</u>
---	---	------------------------------------

	Description Elliptical Beam Lens	Code <u>0.40321.0000</u>
---	--	------------------------------------

	Description Selective Filter 2700K-2000K	Code <u>0.40320.007B</u>
---	--	------------------------------------

	Description Selective Filter 2700K-2200K	Code <u>0.40320.006B</u>
---	--	------------------------------------


HYBRID Ø2.5" | ILM (Interchangeable LED Module)

INDOOR - RECESSED


Hybrid Ø2.5"




2700 K

	Description ILM (2700 K / CRI >90) + Optic for Hybrid ø65	Optics	Code
		A 9°	<u>0.ILM3AA.HW00</u>
		B 15°	<u>0.ILM3AB.HW00</u>
		D 22°	<u>0.ILM3AD.HW00</u>
		E 31°	<u>0.ILM3AE.HW00</u>
		H 41°	<u>0.ILM3AH.HW00</u>
		M 52°	<u>0.ILM3AM.HW00</u>


3000 K

	Description ILM (3000 K / CRI >90) + Optic for Hybrid ø65	Optics	Code
		A 9°	<u>0.ILM3AA.HQ00</u>
		B 15°	<u>0.ILM3AB.HQ00</u>
		D 22°	<u>0.ILM3AD.HQ00</u>
		E 31°	<u>0.ILM3AE.HQ00</u>
		H 41°	<u>0.ILM3AH.HQ00</u>
		M 52°	<u>0.ILM3AM.HQ00</u>


3500 K

	Description ILM (3500 K / CRI >90) + Optic for Hybrid ø65	Optics	Code
		A 9°	<u>0.ILM3AA.WQ00</u>
		B 15°	<u>0.ILM3AB.WQ00</u>
		D 22°	<u>0.ILM3AD.WQ00</u>
		E 31°	<u>0.ILM3AE.WQ00</u>
		H 41°	<u>0.ILM3AH.WQ00</u>
		M 52°	<u>0.ILM3AM.WQ00</u>

Warm Dimming

	Description ILM (1800 K-3000 K / CRI >93) + Optic for Hybrid ø65	Optics	Code
		E 24°	<u>0.ILM3GE.DT00</u>
		H 41°	<u>0.ILM3GH.DT00</u>
		M 47°	<u>0.ILM3GM.DT00</u>

Tunable White

	Description ILM (2700 K-6500 K / CRI >93) + Optic for Hybrid ø65	Optics	Code
		E 27°	<u>0.ILM3GE.QT00</u>
		H 38°	<u>0.ILM3GH.QT00</u>
		M 50°	<u>0.ILM3GM.QT00</u>

Note: The ILM module is sold with integrated optics. If you choose to change the optics of the purchased product.
Warning: The ILM Tunable White module can only be replaced with another ILM Tunable White module.

Project:	
Type:	
Description:	

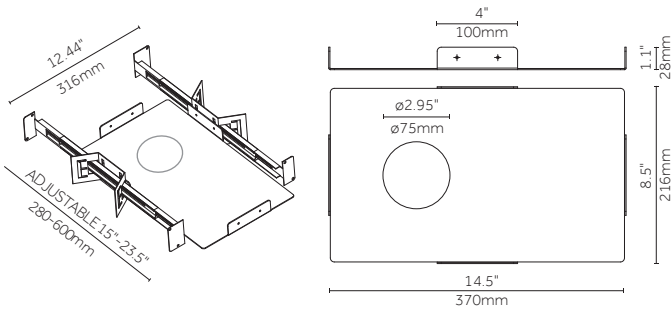
HYBRID Ø2.5"

INDOOR - RECESSED

HOUSING + DRIVER

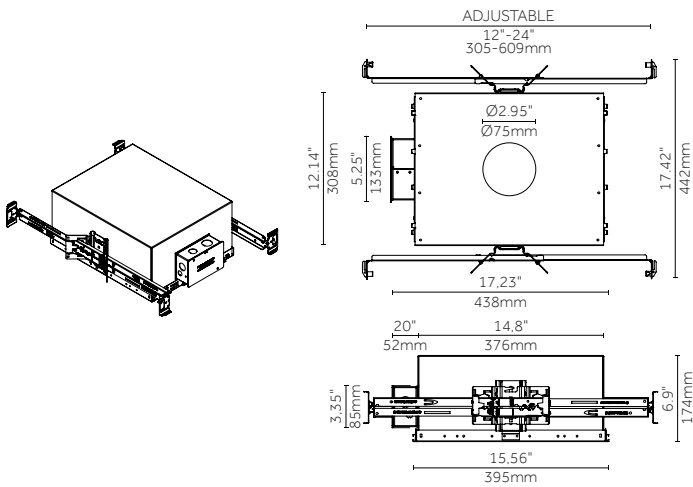
.O New Construction Housing non-IC

Round



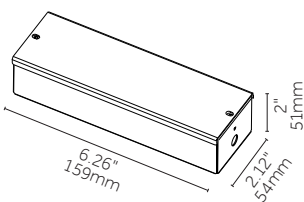
1. Requires 1/2" clearance from building members, 3" clearance from any insulation
2. Where no minimum install height indicated, minimum height is the trim height plus 1/2"
3. Hanger brackets accept FB bars, C-Channel, and 1/2" conduit for mounting
4. Non electrical housings allow fixture positioning for post ceiling installation.

.A IC/AT/CP Housing



1. Requires 1/2" clearance from building members
2. Hanger brackets accept FB bars, C-Channel, and 1/2" conduit for mounting

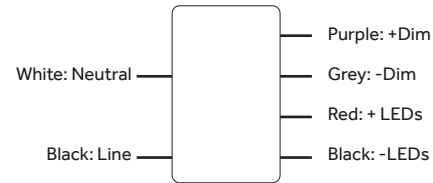
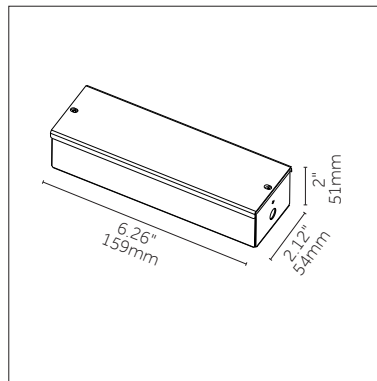
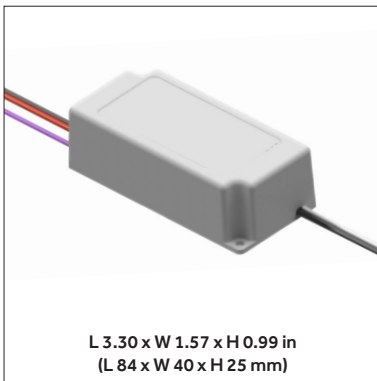
.R Remodel (Only Remote Driver)



Project:	
Type:	
Description:	

G_HYBR6.C.750 (Optic A)

Constant Current LED Drivers for Hybrid 2.5"



Nominal Input Voltage	Max. Output Power	Output Voltage	Output Current	Efficiency	Max. Case Temperature	THD	Power Factor	Dimming Method	Dimming Range	Startup Time	Connectable fixtures
120 to 277 Vac, 47 - 63 Hz	10 W	6 to 12 Vdc	750 mA CC	up to 87% typical	90°C (measured at the hot spot)	< 20%	> 0.9	Forward-Phase, Reverse-Phase & 0 - 10V	1 - 100% (% of lout)	400 ms typical	Min: 1 - Max: 1

FEATURES

- Compatible with TRIAC (forward-phase or leading-edge), ELV (reverse-phase or trailing-edge) and 0-10 V dimmers
- TRIAC and ELV dimming only at 120 Vac.
- Lifetime: 50,000 hours min at 70°C case temperature
- Protections: output open load, over-current and short-circuit (hiccup), and over-temperature with auto recovery
- Conducted and radiated EMI: Compliant with FCC CFR Title 47 Part 15 Class B (120 Vac)/Class A (277 Vac) and EN55015 (CISPR 15) at 220/230/240 Vac
- Complies with ENERGY STAR® luminaire specification and DLC (DesignLight Consortium®) technical requirements
- IP64-rated case with silicone-based potting.
- 90°C maximum case hot spot temperature
- UL8750 recognized Class 2
- CAN/CSA C22.2 No. 250.13-14 LED equipment for lighting applications

APPLICATIONS

- Downlights
- Commercial & Residential lighting
- Architectural lighting

COMPATIBLE PHASE-CUT DIMMERS & DIMMING RANGE

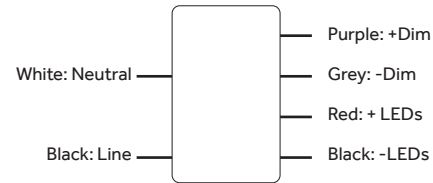
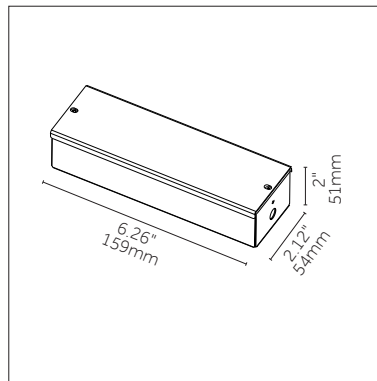
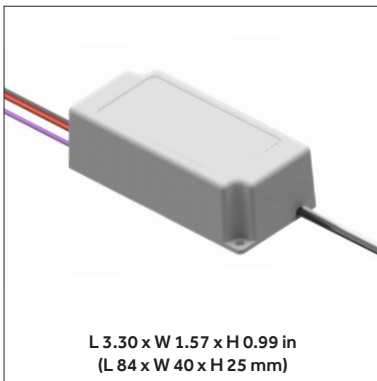
120Vac Dimmers

Mfg.	Model	Mfg.	Model	Mfg.	Model
Lutron	S-603PG	Lutron	DVELV-303P	Lutron	CT-103P
Leviton	IPI06-1LZ	Lutron	SELV-300P	Cooper	SLC03P
Leviton	6631-2	Leviton	6683-IW	Leviton	IPE04
Lutron	DVCL-153P	Leviton	6161	Lutron	MAELV-600
Lutron	DV-600P	Leviton	6633-P	Lutron	FAELV-500
Lutron	TGCL-153P	Lutron	TG-600P	Lightolier	ZP260QEW
Lutron	S-600P	Cooper	DLC03P	Cooper	DAL06P
Leviton	VPE06	Lutron	LG-600P		

Project:	
Type:	
Description:	

G_HYBR6.C.700 (Optic B)

Constant Current LED Drivers for Hybrid 2.5"



Nominal Input Voltage	Max. Output Power	Output Voltage	Output Current	Efficiency	Max. Case Temperature	THD	Power Factor	Dimming Method	Dimming Range	Startup Time	Connectable fixtures
120 to 277 Vac, 47 - 63 Hz	10 W	8 to 13 Vdc	700 mA CC	up to 87% typical	90°C (measured at the hot spot)	< 20%	> 0.9	Forward-Phase, Reverse-Phase & 0 - 10V	1 - 100% (% of lout)	400 ms typical	Min: 1 - Max: 1

FEATURES

- Compatible with TRIAC (forward-phase or leading-edge), ELV (reverse-phase or trailing-edge) and 0-10 V dimmers
- TRIAC and ELV dimming only at 120 Vac.
- Lifetime: 50,000 hours min at 70°C case temperature
- Protections: output open load, over-current and short-circuit (hiccup), and over-temperature with auto recovery
- Conducted and radiated EMI: Compliant with FCC CFR Title 47 Part 15 Class B (120 Vac)/Class A (277 Vac) and EN55015 (CISPR 15) at 220/230/240 Vac
- Complies with ENERGY STAR® luminaire specification and DLC (DesignLight Consortium®) technical requirements
- IP64-rated case with silicone-based potting.
- 90°C maximum case hot spot temperature
- UL8750 recognized Class 2
- CAN/CSA C22.2 No. 250.13-14 LED equipment for lighting applications

APPLICATIONS

- Downlights
- Commercial & Residential lighting
- Architectural lighting

COMPATIBLE PHASE-CUT DIMMERS & DIMMING RANGE

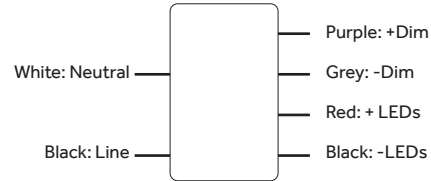
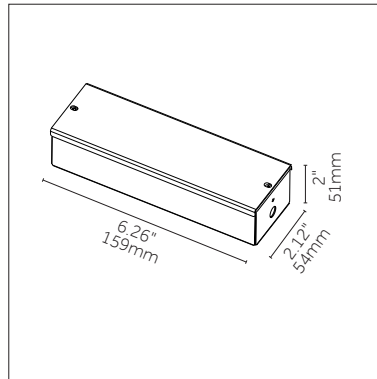
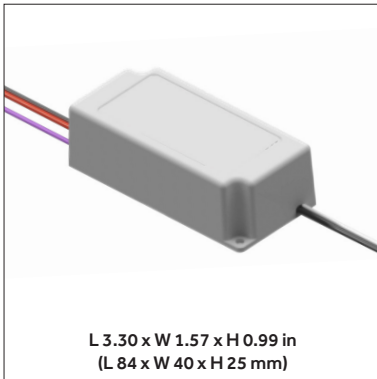
120Vac Dimmers

Mfg.	Model	Mfg.	Model	Mfg.	Model
Lutron	S-603PG	Lutron	DVELV-303P	Lutron	CT-103P
Leviton	IPI06-1LZ	Lutron	SELV-300P	Cooper	SLC03P
Leviton	6631-2	Leviton	6683-IW	Leviton	IPE04
Lutron	DVCL-153P	Leviton	6161	Lutron	MAELV-600
Lutron	DV-600P	Leviton	6633-P	Lutron	FAELV-500
Lutron	TGCL-153P	Lutron	TG-600P	Lightolier	ZP260QEW
Lutron	S-600P	Cooper	DLC03P	Cooper	DAL06P
Leviton	VPE06	Lutron	LG-600P		

Project:	
Type:	
Description:	

G_HYBR6.C.500 (Optics D/E/H/M)

Constant Current LED Drivers for Hybrid 2.5"



Nominal Input Voltage	Max. Output Power	Output Voltage	Output Current	Efficiency	Max. Case Temperature	THD	Power Factor	Dimming Method	Dimming Range	Startup Time	Connectable fixtures
120 to 277 Vac, 47 - 63 Hz	10 W	6 to 12 Vdc	500 mA CC	up to 87% typical	90°C (measured at the hot spot)	< 20%	> 0.9	Forward-Phase, Reverse-Phase & 0 - 10V	1 - 100% (% of lout)	400 ms typical	Min: 1 - Max: 1

FEATURES

- Compatible with TRIAC (forward-phase or leading-edge), ELV (reverse-phase or trailing-edge) and 0-10 V dimmers
- TRIAC and ELV dimming only at 120 Vac.
- Lifetime: 50,000 hours min at 70°C case temperature
- Protections: output open load, over-current and short-circuit (hiccup), and over-temperature with auto recovery
- Conducted and radiated EMI: Compliant with FCC CFR Title 47 Part 15 Class B (120 Vac)/Class A (277 Vac) and EN55015 (CISPR 15) at 220/230/240 Vac
- Complies with ENERGY STAR® luminaire specification and DLC (DesignLight Consortium®) technical requirements
- IP64-rated case with silicone-based potting.
- 90°C maximum case hot spot temperature
- UL8750 recognized Class 2
- CAN/CSA C22.2 No. 250.13-14 LED equipment for lighting applications

APPLICATIONS

- Downlights
- Commercial & Residential lighting
- Architectural lighting

COMPATIBLE PHASE-CUT DIMMERS & DIMMING RANGE

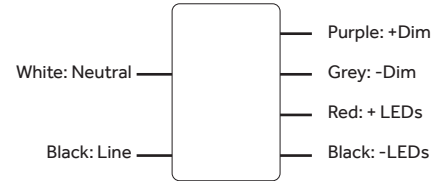
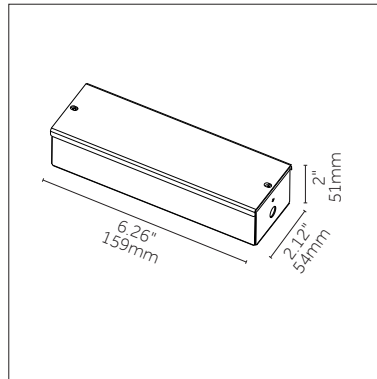
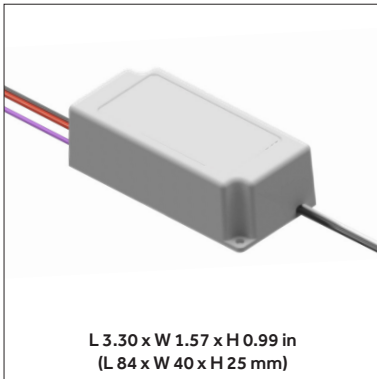
120Vac Dimmers

Mfg.	Model	Mfg.	Model	Mfg.	Model
Lutron	S-603PG	Lutron	DVELV-303P	Lutron	CT-103P
Leviton	IPI06-1LZ	Lutron	SELV-300P	Cooper	SLC03P
Leviton	6631-2	Leviton	6683-IW	Leviton	IPE04
Lutron	DVCL-153P	Leviton	6161	Lutron	MAELV-600
Lutron	DV-600P	Leviton	6633-P	Lutron	FAELV-500
Lutron	TGCL-153P	Lutron	TG-600P	Lightolier	ZP260QEW
Lutron	S-600P	Cooper	DLC03P	Cooper	DAL06P
Leviton	VPE06	Lutron	LG-600P		

Project:	
Type:	
Description:	

G_HYBR6.C.350DT (Optic E/H/M)

Constant Current LED Drivers for Hybrid 2.5"



Nominal Input Voltage	Max. Output Power	Output Voltage	Output Current	Efficiency	Max. Case Temperature	THD	Power Factor	Dimming Method	Dimming Range	Startup Time	Connectable fixtures
120 to 277 Vac, 47 - 63 Hz	10 W	14 to 22 Vdc	350 mA CC	up to 87% typical	90°C (measured at the hot spot)	< 20%	> 0.9	Forward-Phase, Reverse-Phase & 0 - 10V	1 - 100% (% of lout)	400 ms typical	Min: 1 - Max: 1

FEATURES

- Compatible with TRIAC (forward-phase or leading-edge), ELV (reverse-phase or trailing-edge) and 0-10 V dimmers
- TRIAC and ELV dimming only at 120 Vac.
- Lifetime: 50,000 hours min at 70°C case temperature
- Protections: output open load, over-current and short-circuit (hiccup), and over-temperature with auto recovery
- Conducted and radiated EMI: Compliant with FCC CFR Title 47 Part 15 Class B (120 Vac)/Class A (277 Vac) and EN55015 (CISPR 15) at 220/230/240 Vac
- Complies with ENERGY STAR® luminaire specification and DLC (DesignLight Consortium®) technical requirements
- IP64-rated case with silicone-based potting.
- 90°C maximum case hot spot temperature
- UL8750 recognized Class 2
- CAN/CSA C22.2 No. 250.13-14 LED equipment for lighting applications

APPLICATIONS

- Downlights
- Commercial & Residential lighting
- Architectural lighting

COMPATIBLE PHASE-CUT DIMMERS & DIMMING RANGE

120Vac Dimmers

Mfg.	Model	Mfg.	Model	Mfg.	Model
Lutron	S-603PG	Lutron	DVELV-303P	Lutron	CT-103P
Leviton	IPI06-1LZ	Lutron	SELV-300P	Cooper	SLC03P
Leviton	6631-2	Leviton	6683-IW	Leviton	IPE04
Lutron	DVCL-153P	Leviton	6161	Lutron	MAELV-600
Lutron	DV-600P	Leviton	6633-P	Lutron	FAELV-500
Lutron	TGCL-153P	Lutron	TG-600P	Lightolier	ZP260QEW
Lutron	S-600P	Cooper	DLC03P	Cooper	DAL06P
Leviton	VPE06	Lutron	LG-600P		