

Reggiani

NORTHAMERICA

Warning

- Carefully read these instructions before assembling the Fixture, to assure its correct and safe working performance.
- Keep these instructions in a safe place for future consultation; contact your distributor in the event of malfunction.
- **Do not modify the Fixture. Modifying the Fixture in any way invalidates the guarantee of conformity with standards and directives in force and it could make the actual Fixture hazardous. Reggiani will not be responsible for any damage or injury due through misuse of product.**
- The Fixture must be installed by qualified experts in accordance with industry best practice.
- System is intended for installation in accordance with National Electric Code, and local regulations. Consult with local inspector to assure compliance.
- As a safety guarantee, any components damaged while the Fixture is operating must be replaced with the same components before it is used again.
- **Turn off power at main switch before installing or modifying the system to prevent the risk of fire, electrical shock and injuries to persons.**
- Warning: [Risk of fire] do not install insulation within 3 inches around fixture, or junction box, or in a manner to entrap heat.

Wiring

- The driver supplied with the Fixture is specially designed to maximize performance. Unless the Reggiani engineering department issues specific authorization, use of other drivers is prohibited.
- For non-track Fixtures, Fixture is provided with either remote driver, semi-remote driver, or integral driver.
Note: Before turning on mains power, confirm LED wires are properly connected to driver output wires.
 - For remote and semi-remote driver, the correct wiring sequence is to wire the LED to the driver output, then connect the driver input to mains power.
 - For integral driver, the wiring between LED and driver output is prewired. The correct wiring sequence is to wire the driver input to mains power.
- For track Fixtures, the track Fixture is supplied with an integral driver. Secure Fixture to the track, then turn on mains power.

Dimming

- Below is an overview of the different dimming options Reggiani offers, consult Fixture cutsheet for availability.
- **Phase Cut [Reverse and Forward]**
The luminous flux is dimmed by varying the AC power delivered to the Fixture via Reverse [ELV] and Forward [Triac] phase configurations.
- **Analogue [0-10V]**
The luminous flux is dimmed by varying a 0-10V direct voltage signal through polarity sensitive purple [dim +] and grey [dim -] wiring.
- **Dali Digital**
The luminous flux is dimmed by sending a digital signal through polarity independent positive [D+] and negative [D-] wiring.
- **Lutron EcoSystem**
The luminous flux is dimmed by sending a digital signal through polarity independent E1 and E2 EcoSystem Digital Link wiring.
- **Emergency Lighting**
The Fixture can be converted into emergency lighting by wiring to an emergency lighting inverter.

Preparation and Assembly of the Luminaires

Yori Wall Remote Driver (Non-wood wall applications)

- First carefully remove fixture and components from shipping box (fig. 1).
- Unfasten fixture mounting clip from back of luminaire by removing locking screw (fig. 2).
- Install fixture mounting clip onto junction box cover plate by using two screws provided and wire accordingly (fig. 3).
- Install electrical junctions box cover plate assembly onto junction box (fig. 4).
- Secure fixture onto mounting clip by sliding fixture downward fully engaging the clip. (fig. 6).
- Fasten locking screw (fig 7).

Yori Wall Internal Driver (Non-wood wall applications)

- First carefully remove fixture and components from shipping box (fig. 1).

- Unfasten fixture mounting clip from back of luminaire by removing locking screw (fig. 2).
- Install fixture mounting clip onto junction box cover plate by using two screws provided and wire accordingly (fig. 3).
- Install electrical junctions box cover plate onto junction box (fig. 4).
- Feed wiring through designated hole and plaster over junction box cover plate avoiding specified holes (fig. 5).
- Secure fixture onto mounting clip by sliding fixture downward fully engaging the clip. (fig. 6).
- Fasten locking screw (fig 7).

Yori Wall Remote Driver (Wood wall applications)

- First carefully remove fixture and components from shipping box (fig. 1).
- Mount electrical junction box onto building members. Junction box must be flushed with building member (fig 8).
- Feed low voltage wire through electrical junction box cover plate. Secure cover plate onto junction box with #8-32 x 1/2in flathead screws (fig 9).
- Cut out holes on wood slat. Feed low voltage wire through cut out holes and then secure wood slat (fig 10).
- Unfasten fixture mounting clip from back of luminaire by removing locking screw (fig. 2).
- Secure Yori Wall mounting clip onto wood slat with #8-32 x 1in flathead screws (fig 11).
- Secure fixture onto mounting clip by sliding fixture downward fully engaging the clip. (fig. 6).
- Wire low voltage wires onto mounting clip accordingly (fig 12).

Diagrams

Fig. 1

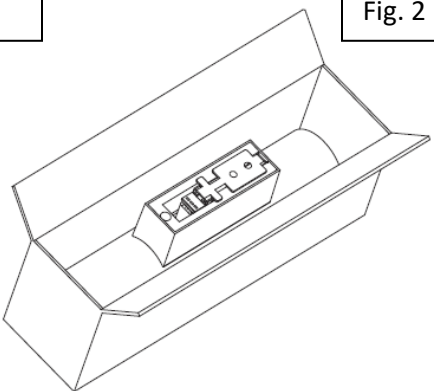


Fig. 2

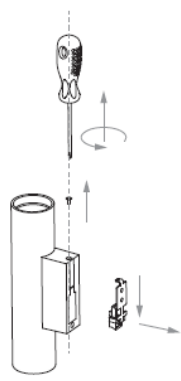


Fig. 3

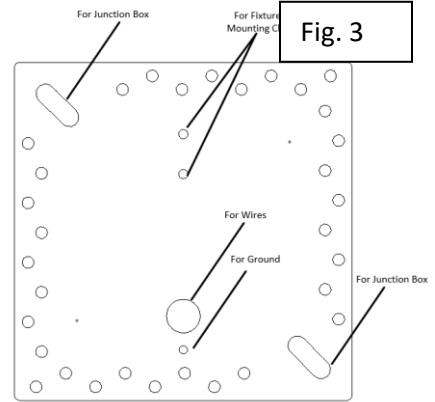


Fig. 4

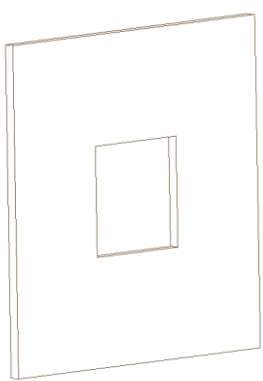


Fig. 5

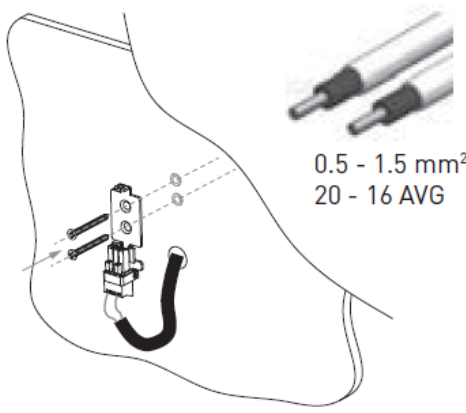
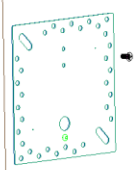


Fig. 6

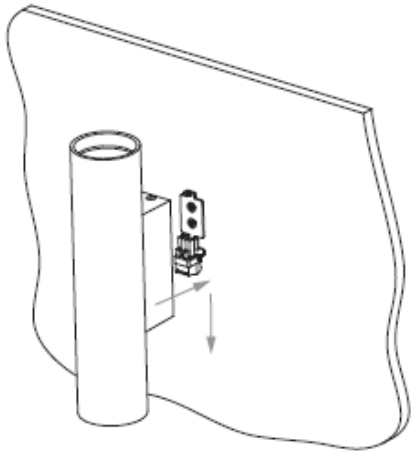
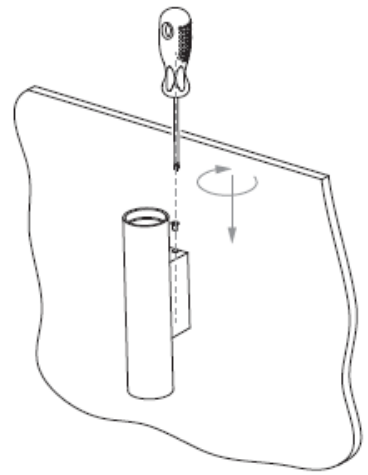
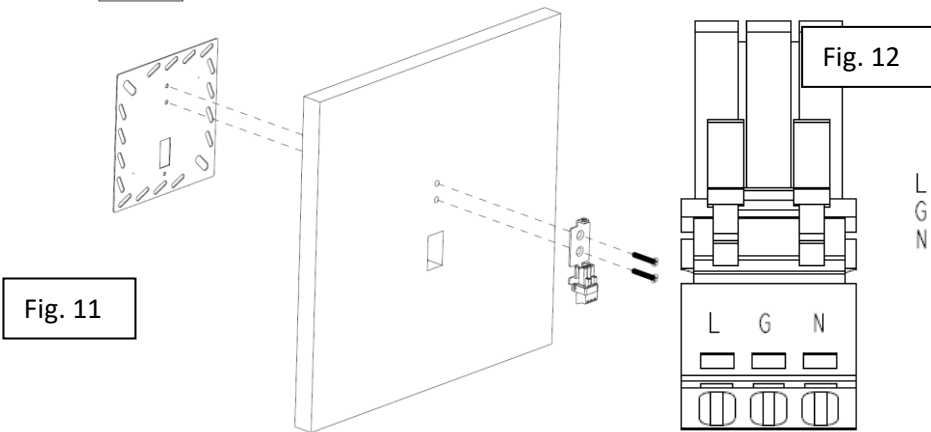
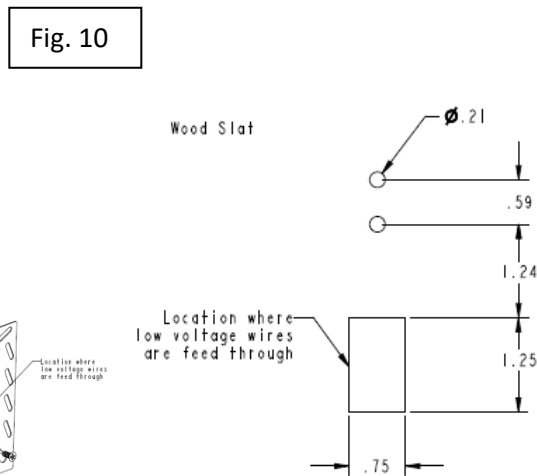
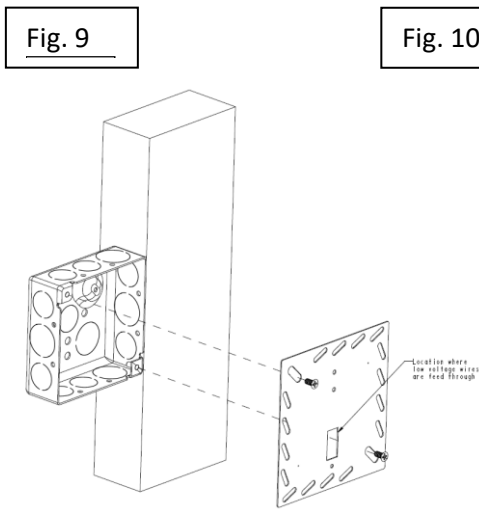
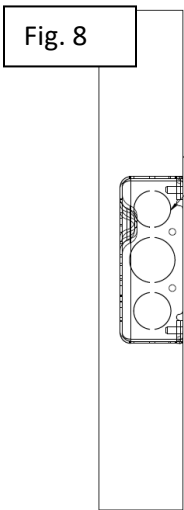
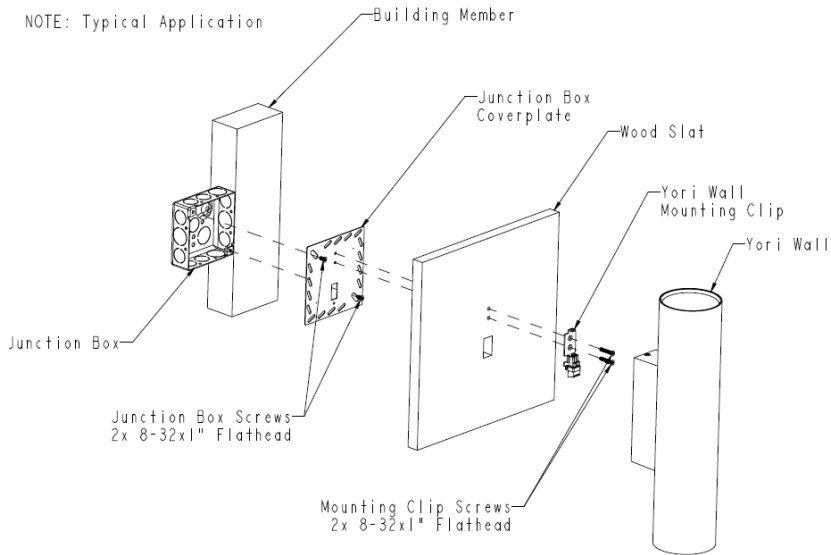


Fig. 7



For Wood Applications



L = LED "+" (Red Wire)
 G = Ground
 N = LED "-" (Black Wire)